



## Wireless Panel DC



### WIZ Pro Wireless Panel DC

929003360771 (Grey) / 929003360871 (White)

#### Enabling connected lighting system for welcoming spaces

WIZ Pro Wireless Panel DC is a battery-operated wireless control panel with self-reset keypad. It can provide features as accessory in the system such as light on/off, dim up/down, 4 favorite scenes. It enables simple, cost effective wireless lighting system for energy saving and comfort. Advanced design of the Wireless panel helps to build a reliable, scalable and standardized connected lighting with different functionalities from simple wireless dimming to favorite scene configurations.

#### Benefits

- Easy wireless dimming for energy saving and convenience
- Self-reset switch panel to provide control functions
- Local communication protocol not relying on Wi-Fi network and connectivity, so the accessory can control the lights even if Wi-Fi is down. No gateway needed
- Some features can be modified remotely using App settings for the lights for favorites of rooms and scenes
- CE/CB/UKCA certificated

#### Features

- Operated by CR123A battery
- 6 keypads
- Extra low standby power
- 50,000 hours lifetime
- Integrated as accessory in WIZ Pro software suite
- <https://www.wizconnected.com/en/pro/get-started/>

#### Application

- Residential
- Hospitality
- Restaurant
- Retail
- School
- Leisure places

## Logistical data

Specification item	Value
Product name	WiZ Pro Switch Panel DC G / WiZ Pro Switch Panel DC W
12NC/Model	929003360771 / 929003360871
Pieces per box	24 pcs

## Product Data

All specifications are typical and at 25 °C Tcase unless otherwise specified

### Electrical data

Specification item	Value	Unit	Conditions
Power Supply	3V CR123A*1 battery	Vdc	Not included
Standby power	0.3	mW	Standby consume current 10uA
ESD	4KV @ HBM, 8KV @ Air	KV	

### Control Interface

Specification item	Value
Keypad	6

### RF interface

Specification item	Value	Unit	Conditions
Communication method	Wi-Fi		
Wi-Fi Frequency	2400-2483.5	MHz	IEEE Std 802.11 b/g
Wi-Fi Transmission power	20	dBm	Maximum
Wi-Fi channel	1...13		

### Indicator

Specification item	Value
LED indicator	6 white Color

### Operational temperature and humidity

Specification item	Value	Unit	Conditions
Ambient temperature	-20...+45	°C	
Relative humidity	10...90	%	
Tcase_life	50	°C	
Tcase_max	50	°C	

### Storage temperature and humidity

Specification item	Value	Unit	Conditions
Ambient temperature	-25...+85	°C	
Relative humidity	5...95	%	

### Lifetime

Specification item	Value	Unit	Conditions
Lifetime	50,000	Hours	@Tcase_life. Maximum failures=10%
Key press cycles	100,000	Cycles	
Battery life	720	Days	@Press keypad 30 times a day, battery capacity 1550mAh

### Certificates and standards

Specification item	Value
Approval marks	CE/CB/UKCA, RED
Environment	RoHS, REACH
Connection	Wi-Fi IEEE802.11 b/g,
Audible noise	< 24 dB @5cm
Ingress Protection	IP20

Notes:

Simplified EU Declaration of Conformity

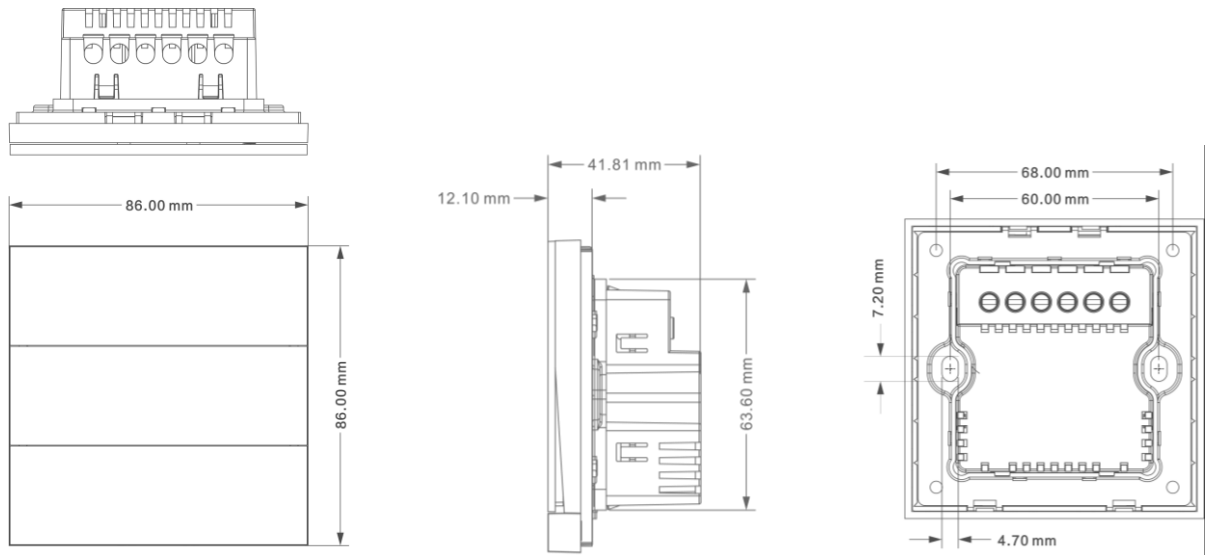
Hereby, Signify declares that the radio equipment type WiZ wireless panel is in compliance with the Directive 2014/53/EU. The full text of the EU declaration of conformity is available at the following internet address: [www.wizconnected.com/](http://www.wizconnected.com/)

Simplified UK Declaration of Conformity

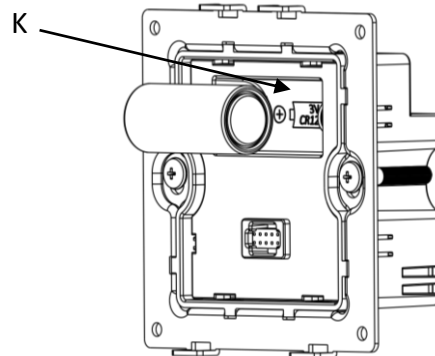
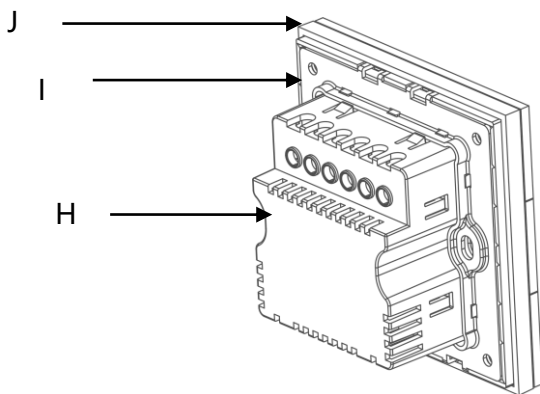
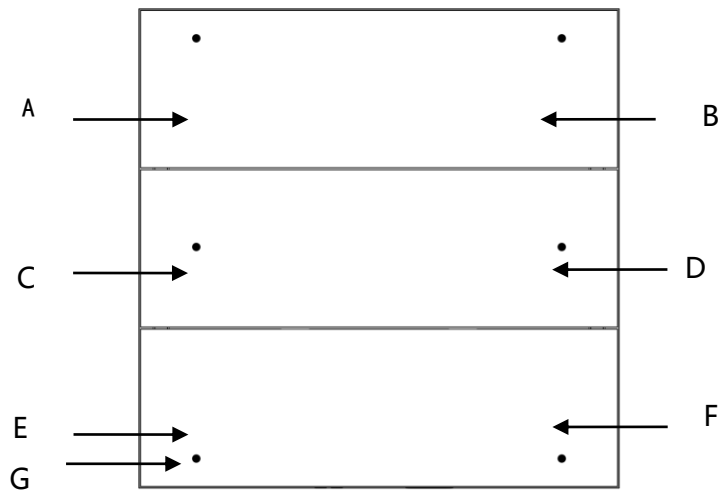
Hereby, Signify declares that the radio equipment type WiZ wireless panel is in compliance with the Radio Equipment Regulations 2017 (S.I. 2017/1206). The full text of the UK declaration of conformity is available at the following internet address: [www.wizconnected.com](http://www.wizconnected.com/)

## Dimensions and weight

Specification item	Value	Unit	Conditions
Dimensions L x W x H	86*86*41.8	mm	Tolerance: +/- 0.1mm
Color/ Material	Dark Grey/White /PC		
Weight	111	gram	



# Wiring & Connections Wizard



Symbols	Specification item	Definition	Remark
A	ON / +	ON or Dim up	Short press or long press
B	OFF / -	Off or Dim down	Short press or long press
C...F	SCENE 1-4 or Night mode	Input Keypad	1,2,3,4
G	LED indicator	LED flash with key pressed	
H	Power Supply Unit	Power supply for panel	
	Metal rack	For fixing panel	
J	Panel	Detachable control panel	
K	Battery holder	Battery holder	For CR123A battery

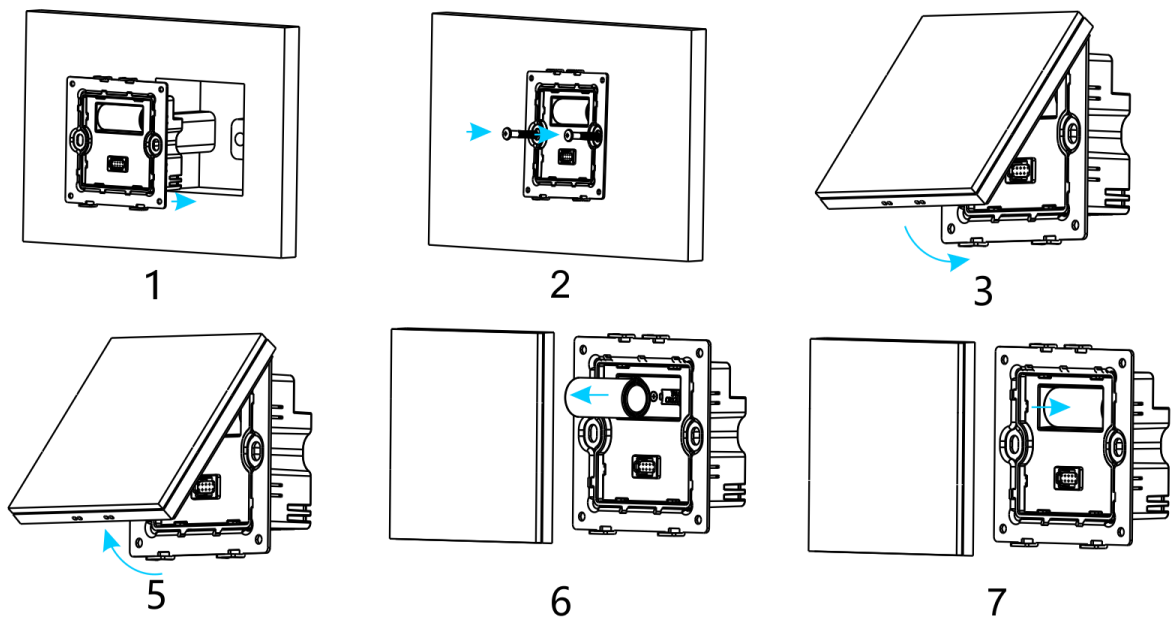
## Notes and Installation

### Important notes:

- The wireless panel is compatible with standard 86 wall box only. Potential safety risks (e.g electric shock) may exist if the wireless panel is installed in other types of wall boxes. Any confusion please consult WiZ or qualified professional.
- The wireless panel works only with WiZ products. It does not support Philips Hue products.
- The wireless panel works as a remote control. It does not provide physical electricity circuit break when turning off a WiZ product with a WiZ PRO wireless panel. The user shall always disconnect the mains supply before installing or maintaining the controlled WiZ product (e.g lamp replacement) via a physical switch (e.g a circuit breaker).

### Installation Guides

- Figure 1: Put the base into the wall box.
- Figure 2: Lock the screw with torque around 2.0kgf.cm, and put in the battery properly and follow the polarity indicated in battery compartment. Only use battery type specified by manufacturer (CR123A).
- Figure 3: Fix the top of the panel first, and then press down to lock the panel.
- Figure 4 (omitted): Replace the battery.
- Figure 5: Unbuckle the panel up diagonally from the bottom.
- Figure 6: Remove the battery and replace it with a new battery of specified type. Dispose the used battery properly according to local regulations.
- Figure 7: Then fix the panel.



## 3 Commissioning

Open the WiZ App software, add "Wall Controller", follow the App prompts, press the ON button 3 times until the device is successfully paired.

## 4 Disposal method

Please inform yourself about the local waste disposal, separation and collection system for electrical and electronic products and packaging. Please act according to your local rules and do not dispose your old product and packaging with your normal household waste. The correct disposal of the packaging, your product and/or batteries will help prevent potential negative consequences for the environment and human health. Batteries should be disposed separately from the municipal waste stream via designated collection facilities. When disposing a product that contains non-user replaceable batteries, the non-user replaceable batteries shall be removed by a professional.



## Download free WiZ App



The information presented in this document is not intended as any commercial offer and does not form part of any quotation or contract.

WiZ is a global brand of



© 2022 Signify Holding, IBRS 10461, 5600VB, NL. All rights reserved. This document contains information relating to the product portfolio of Signify which information may be subject to change. No representation or warranty as to the accuracy or completeness of the information included herein is given and any liability for any action in reliance thereon is disclaimed. All trademarks are owned by Signify Holding or their respective owners.

Signify – I.B.R.S. / C.C.R.I Numéro  
10461 5600 VB Eindhoven  
The Netherlands

Signify Commercial UK Ltd.  
Unit 3,  
Guildford Business Park  
Guildford, Surrey, GU2 8XG, UK